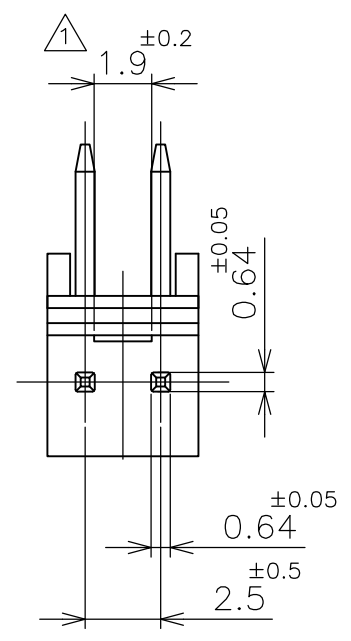
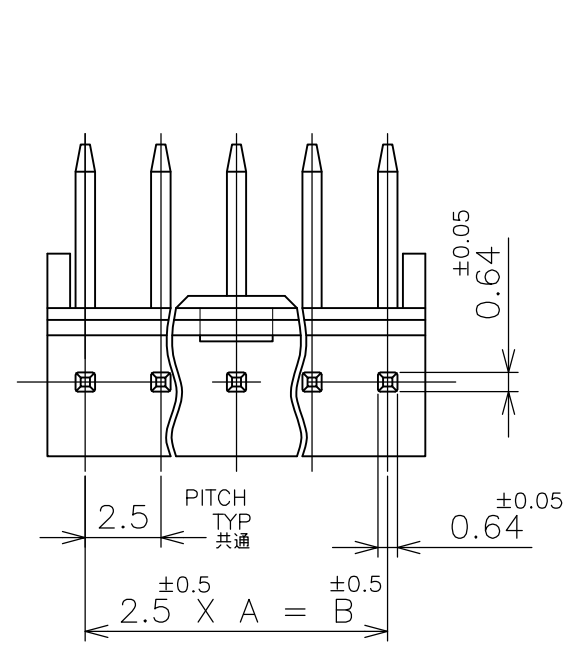


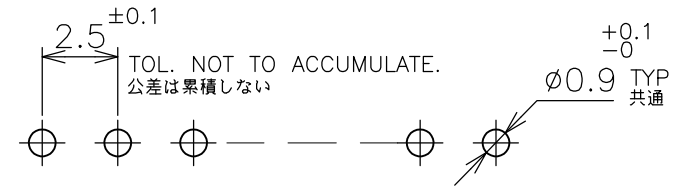
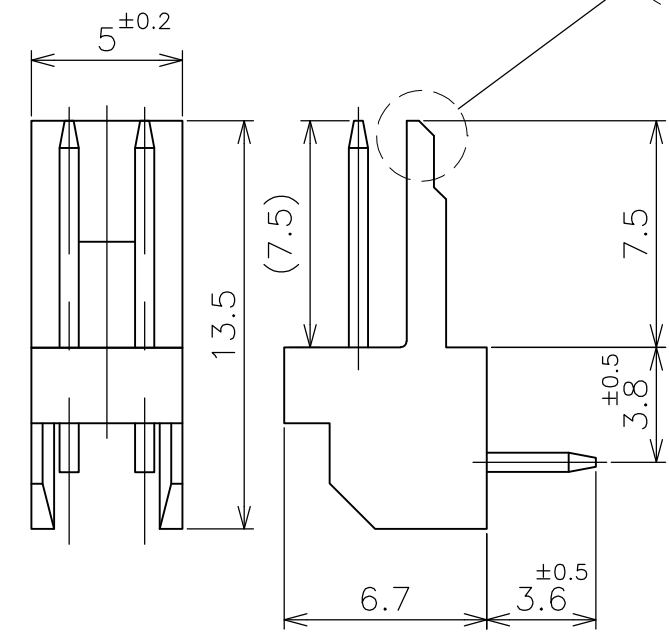
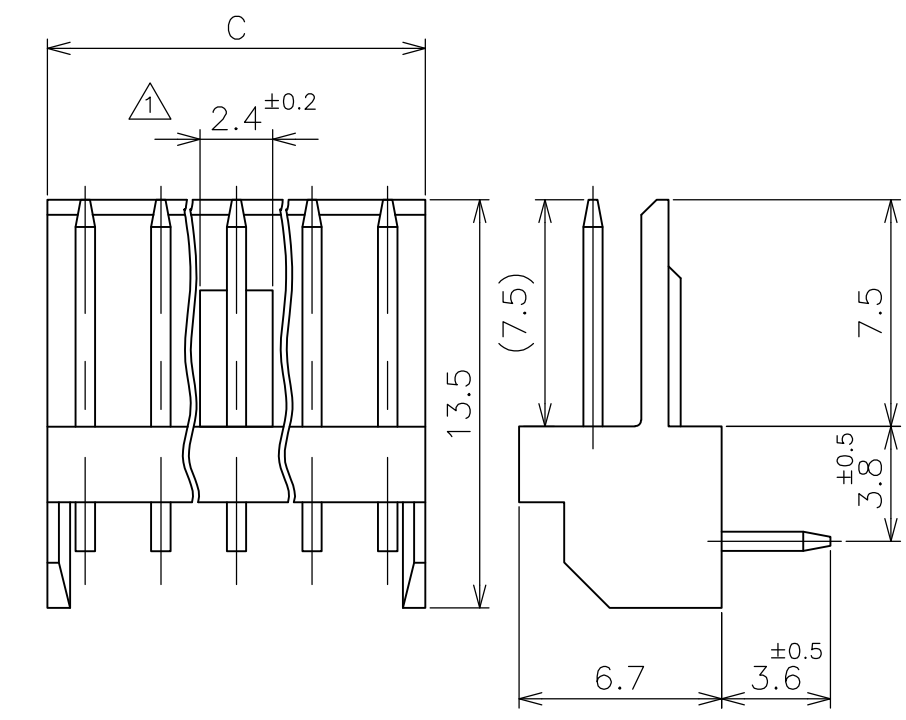
THIS DRAWING IS UNPUBLISHED. RELEASED FOR PUBLICATION MAY, 1977.  
 © COPYRIGHT 1977 By - ALL RIGHTS RESERVED.

LOC		DIST		REVISIONS 変更		
P	LTR	DESCRIPTION		DATE	DWN	APVD
	R2	REVISED (ECR-14-002883)		05MAR'14	EL	VP



- ① LOCKING HOLE IS PLACED ON THE CENTER OF POST HEADER.
- ② MANUFACTURED BY AMP-BRASIL ONLY
- ① ロッキング凹部位置は長手方向の中央。
- ② AMP-ブラジル製造品 (AMP-J非製造品)

② APPLY TO AMP-BRAZIL ONLY.



RECOMMENDED BOARD LAYOUT (1.6 THK)  
 取付基板寸法 (基板厚 1.6t)

3~12 POS 極

2 POS 極

30.0	27.5	11	12	9-171826-2	7-171826-2	5-171826-2	3-171826-2	1-171826-2
25.0	22.5	9	10	9-▲-0	7-▲-0	5-▲-0	3-▲-0	1-▲-0
22.5	20.0	8	9	8- -9	6- -9	4- -9	2- -9	-9
20.0	17.5	7	8	8- -8	6- -8	4- -8	2- -8	-8
17.5	15.0	6	7	8- -7	6- -7	4- -7	2- -7	-7
15.0	12.5	5	6	8- -6	6- -6	4- -6	2- -6	-6
12.5	10.0	4	5	8- -5	6- -5	4- -5	2- -5	-5
10.0	7.5	3	4	8- -4	6- -4	4- -4	2- -4	-4
7.5	5.0	2	3	8- -3	6- -3	4- -3	2- -3	-3
図示		— / —	2	8-171826-2	6-171826-2	4-171826-2	2-171826-2	171826-2
±0.2 C	±0.5 B	A	NO OF POS 極数	RED 赤色	GREEN 緑色	BLUE 青色	BLACK 黒色	NATURAL 自然色
				PART NUMBER 型番				

THIS DRAWING IS A CONTROLLED DOCUMENT.

DWN T.DOI 14MAY77  
 CHK H.TAGUCHI 14MAY77  
 APVD H.TAGUCHI 14MAY77

NAME 名称  
 PRODUCT SPEC 製品規格  
 APPLICATION SPEC 取付適用規格  
 WEIGHT

**STE** TE Connectivity

POST HEADER ASSY (HORIZONTAL)  
 AMP EI SERIES CONNECTOR

SIZE A3 CAGE CODE 00779 DRAWING NO. G-171826 RESTRICTED TO

MATERIAL 材料 HSG : 66NYLON -UL94V-0 POST: BRASS  
 FINISH 仕上 TIN-PLATE 0.8um MIN. ALL OVER NICKEL 0.5um MIN. UNDERPLATED

CUSTOMER DRAWING SCALE 尺度 4:1 SHEET 1 OF 1 REV R2